

Installation instructions for KZNG5-02372-00, KZNG5-02373-00 Under Run Protective Shield Engine Bay and Transmission Case

TOYOTA RAV4



Model Year

RAV4 - 2012 - 2015 -

Applicability:

ZSA44L-ANFXK; ZSA44L-ANXXK
ZSA44L-ANXGK; ZSA44L-ANYXKX
ZSA44L-ANYMKX; ALA49L-ANTGXX
ASA44L-ANTGKX; ASA44L-ANTMKX
ALA49L-ANTMXX; ZSA42L-ANYXKX
ZSA44L-ANFMKX; ZSA42L-ANYMKX
ZSA42L-ANFXKX; ALA49L-ANTGYW

Part Number

Steel: KZNG5-02372-00

Aluminium: KZNG5-02373-00



Weight

Steel: 9,45 kg

Aluminium: 6,08 kg

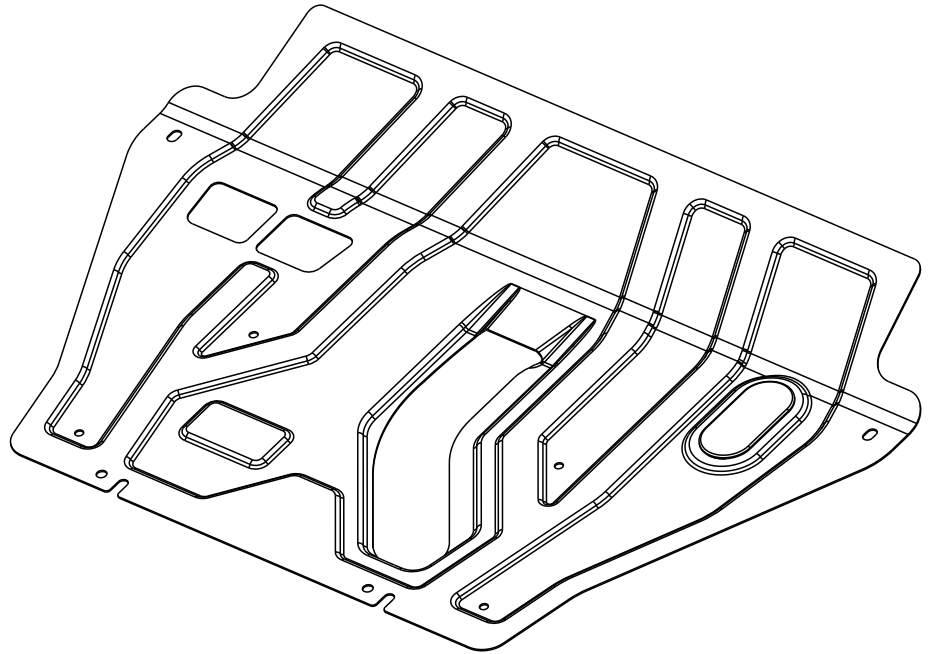


Installation Time

15-30 min

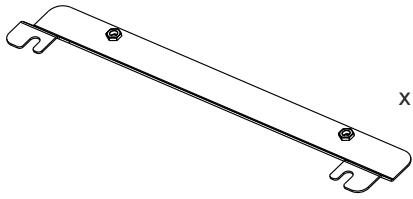
KZNG5-02372-00, KZNG5-02373-00

A



x1

F



x1

KZNG5-08760-60

B1



x2 M10x20

B2



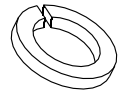
x2 M10x100

C1



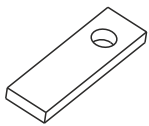
x4 Ø 10

C2



x4 Ø 10G

D

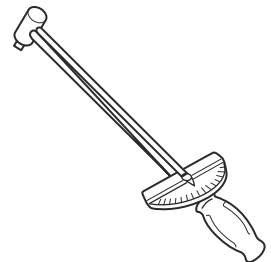
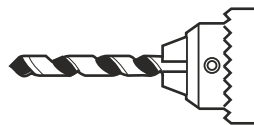
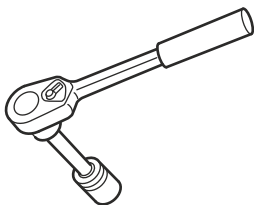


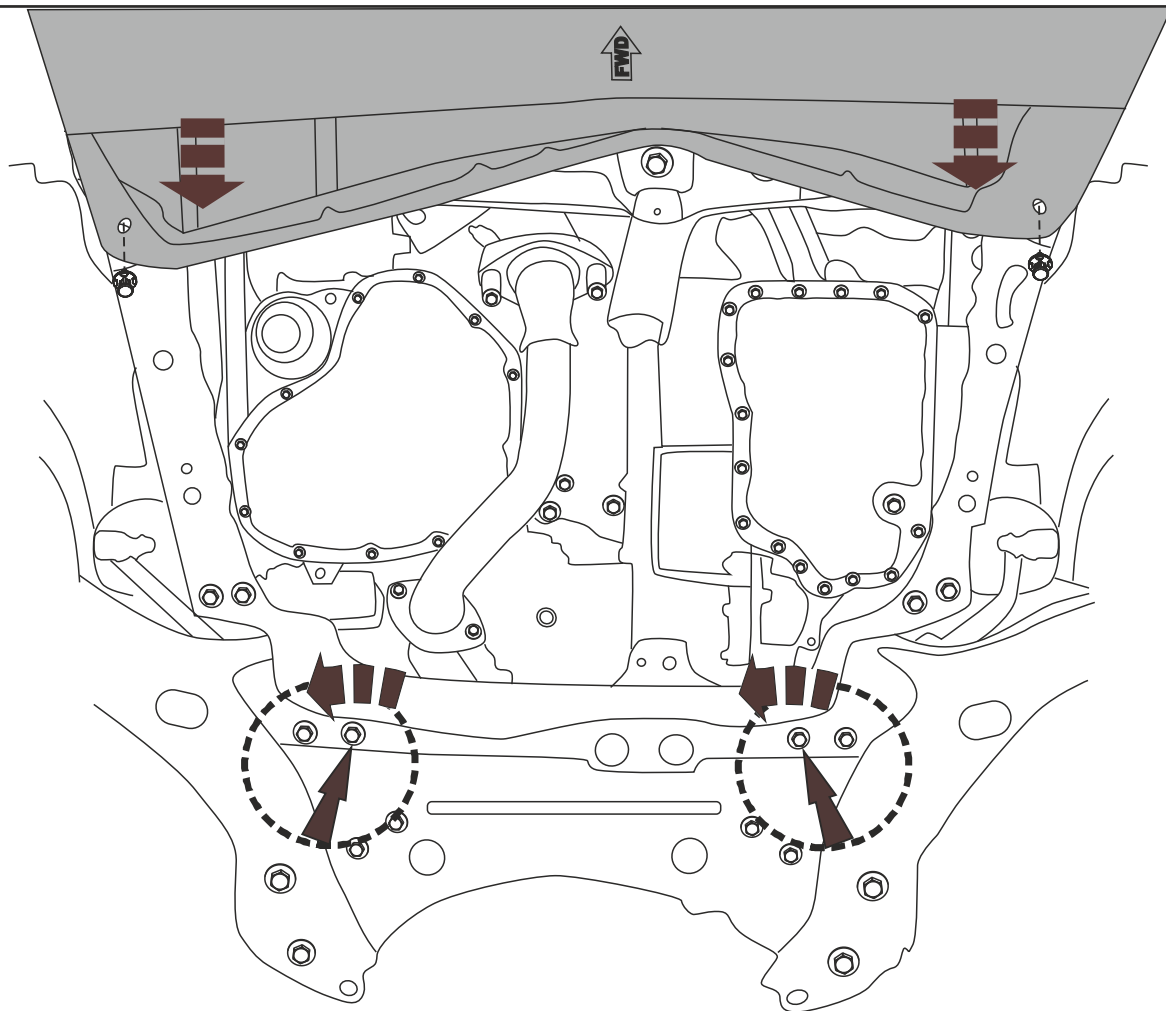
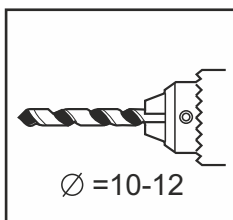
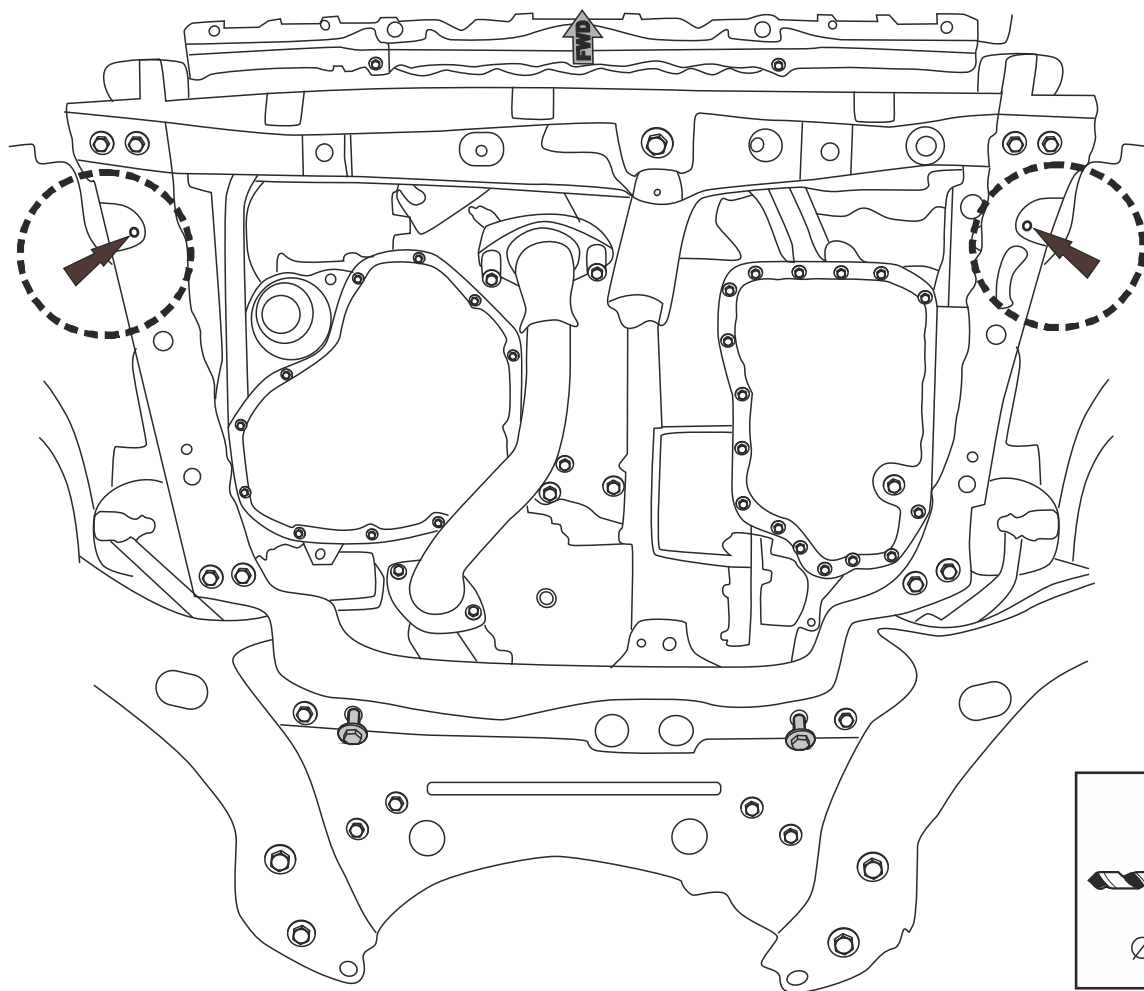
x2

E

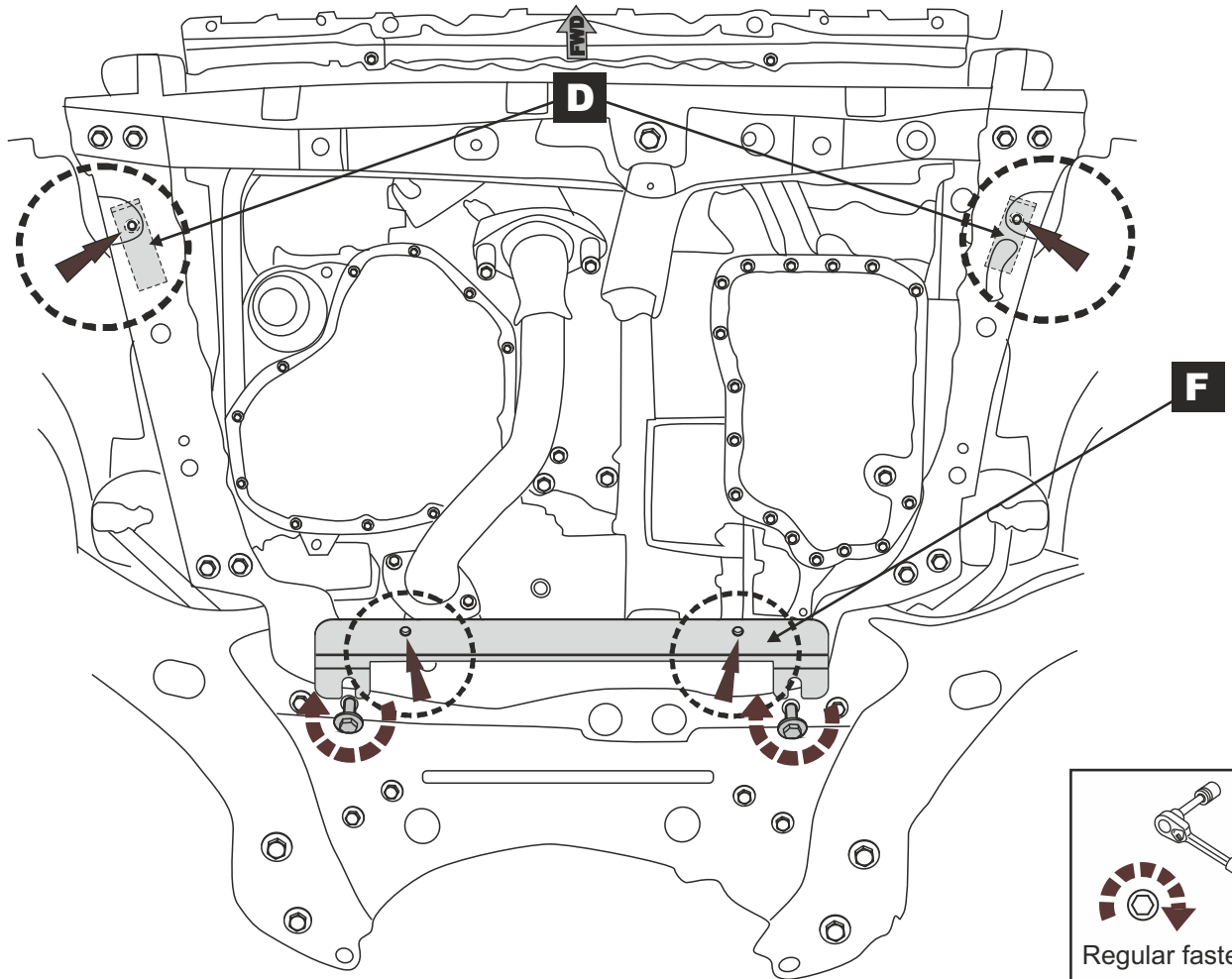


x2

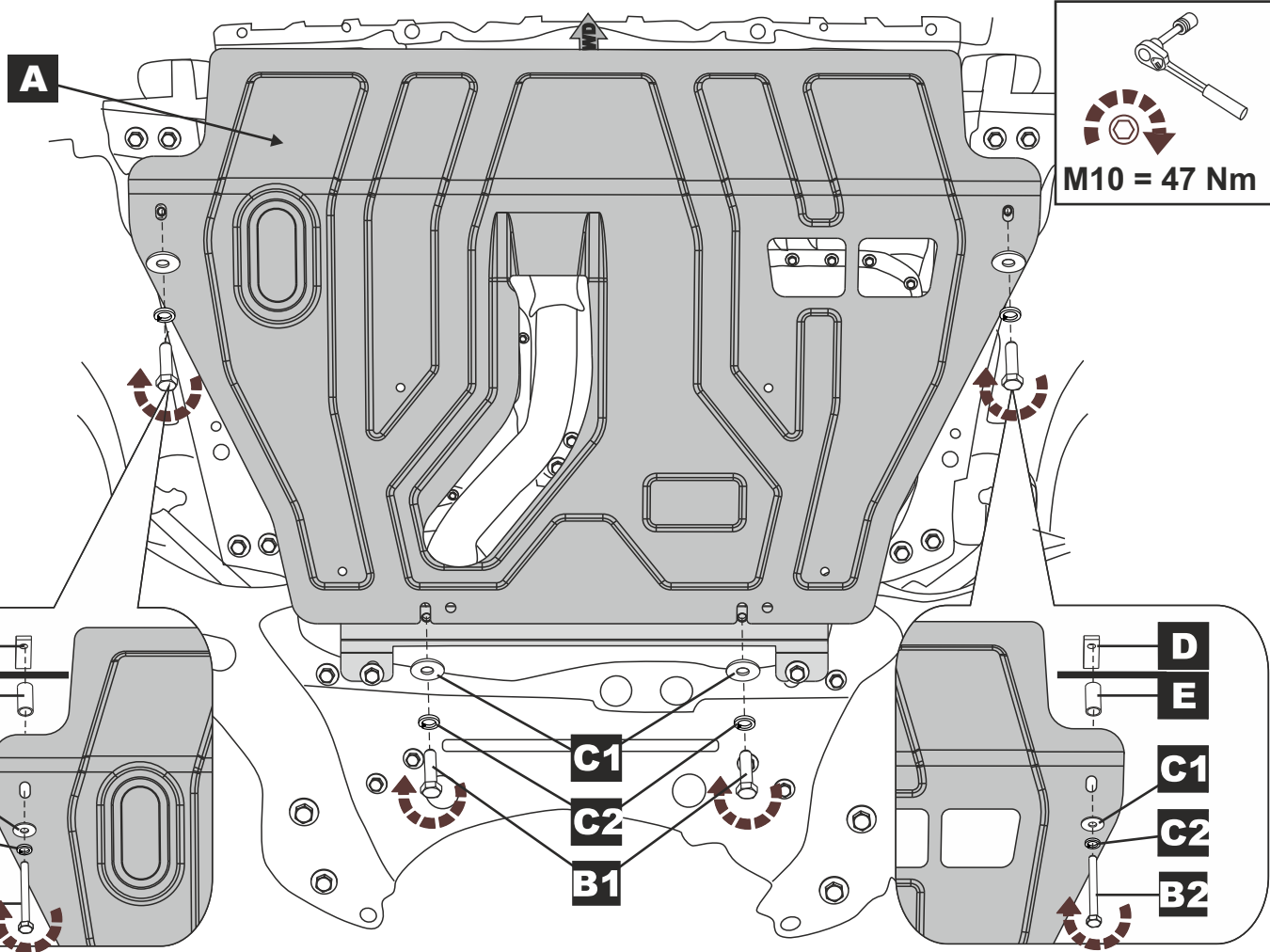


1**2**

3



4



5

